

YL220Wp, Yingli Solar

Yingli's 220 watt photovoltaic module is designed for large electrical power requirements. With a 25 year warranty, the YL220 has superb durability to withstand rigorous operating conditions. Ideal for grid-connected and remote power systems, the YL220 offers high usable power per square foot of solar array.

- ◆ Solar Cell: High efficiency crystalline solar cell. Even if under the weak light, the solar module can produce maximum power output.
- ◆ Tempered glass: Anti-reflecting coating and high transmission rate glass increase the power output and mechanical strength of solar module.
- ◆ EVA and TPT: Using high quality EVA and TPT to prevent destroying and water.
- ◆ Al frame: Without screw, corner connection. 6 holes on the frame can be installed easily.
- ◆ Junction box: Multi function junction box with water proof.
- ◆ Long lifetime: ≥ 25 years; Less power decrease.
- ◆ Good performance of preventing from atrocious weather such as wind and hails.
- ◆ Resisting moisture and etching effectively, not effect by geology.
- ◆ The certificate issued by international authority: ISO Quality Management system, UL, TUV, IEC.



- World-class Product and Service
- Complete Production Chain
- PV Manufacturer from China

YL220Wp, Yingli Solar

- World-class Product and Service
- Complete Production Chain
- PV Manufacturer from China

ELECTRICAL PARAMETER

Module type	220(29)P1650×990
Cell	Poly-crystal silicon
No. of Cells and Connections	60 in series
Maximum Power (Pm)	220W±3%
Maximum Power Voltage (Vpm)	30.0V
Maximum Power Current (Ipm)	7.4A
Open Circuit Voltage (Voc)	36.6V
Short Circuit Current (Isc)	8.1A
Module Efficiency	13.5%
Cell Efficiency	15.0%

(* (STC) Standard Test Conditions: 25°C, 1 kW/m², AM 1.5)

MECHANICAL CHARACTERISTIC

Dimensions (H×W×D)	1650×990×50mm
Weight	18.7Kg(41.2Pound)
Area	1.6m ²

(Cable Length 900mm provide by clients' requirement)

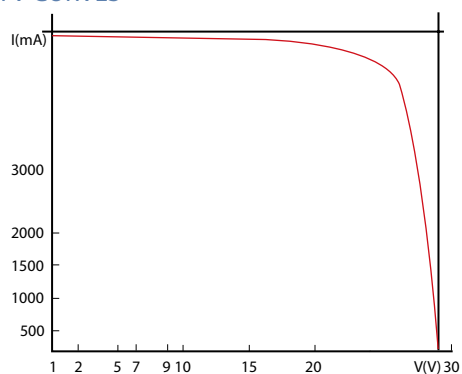
TEMPERATURE COEFFICIENTS

Power	T _k (Wp)	-0.45%/°C
Open Circuit Voltage	T _k (Voc)	-0.37%/°C
Short Circuit Current	T _k (Isc)	+0.10%/°C

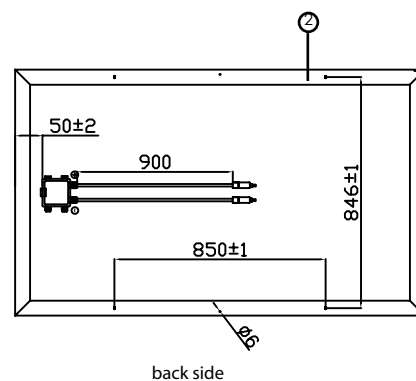
ABSOLUTE MAXIMUM LIMITS

Max System Voltage	V	1000
Module Operating Temperature	°C	-45—+85
Wind Velocity	Km/h	130
Noct	°C	46±2

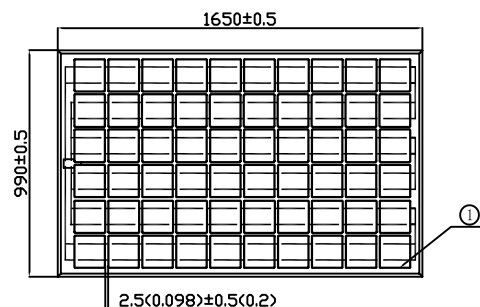
IV CURVES



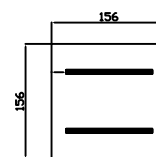
INSTALLATION DIMENSIONS



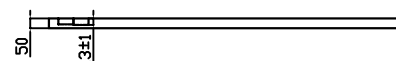
back side



Front side



Cell back side



Left side

Certificate	TUV			
	2	Frame	Q128	1Set
1	Cell	156×156	60PCS	
Item	Name	Specification	Quantity	Remark
Brand	Yingli solar		220(23)P1650×990	



www.coltecnica.com
(571) 4737687
colsolar@coltecnica.com