

MP6 - High Performance Multicrystalline Solar Module

- The panels use **lead-free** solder, and adjusted by **RoHS**.
- Strong framed module passing mechanical load test of **5,400Pa** to withstand heavier snow load.
- The Panels have a Limited **25-year** power output and, **5-year** product workmanship warranty.
- High performance, multicrystalline solar cells deliver a module efficiency of up to **14.1%**.



Top quality from SANYO Solar

SANYO is leading the way in research and development as a pioneer in the field of photovoltaic power generations.

More than 30 years of experience in solar technology has earned us a reputation for reliability among our customers.



Electrical and Mechanical Characteristics

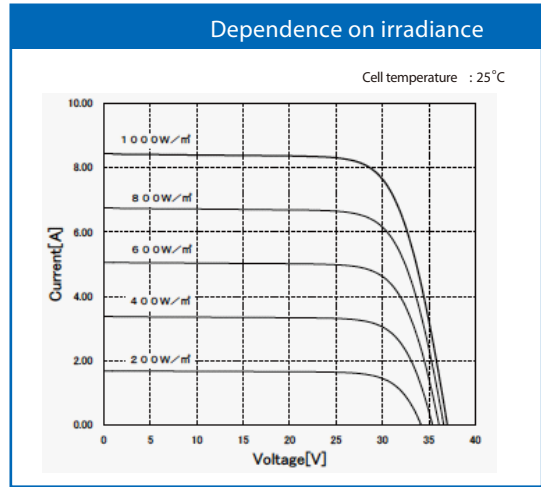
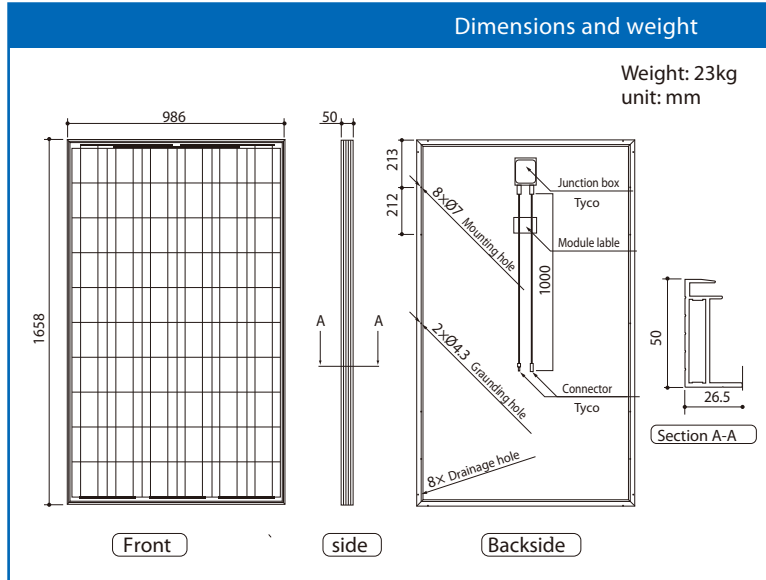
MP6-230E01

Electrical data		
Maximum power (Pmax)	[W]	230
Max. power voltage (Vmp)	[V]	29.4
Max. power current (Imp)	[A]	7.83
Open circuit voltage (Voc)	[V]	37.0
Short circuit current (Isc)	[A]	8.42
Warranted minimum power (Pmin)	[W]	218.5
Maximum over current rating	[A]	15
Output power tolerance	[%]	+10/-5
Maximum system voltage	[Vdc]	1000
Noct	[°C]	46
Temperature coefficient of Pmax	[%/°C]	-0.44
Voc	[%/°C]	-0.36
Isc	[%/°C]	0.14

Note 1: Standard Test Conditions: Air mass 1.5, Irradiance = 1000W/m², Cell temperature = 25 °C

Note 2: The values in the above table are nominal

Packing Specifications		
Number of modules per pallet	[pcs]	19
Number of modules per 40ft container	[pcs]	494
Number of modules per 20ft container	[pcs]	228



Warranty

Power output:
10 years (90% of Pmin)
25 years (80% of Pmin)

Product workmanship:
5 years
(Based on contract terms)

Certificates

The block contains two certification logos. On the left is the TUV NORD Type Tested logo for IEC 61215 and IEC 61730, specifically for Photovoltaic Modules. On the right is the CE mark for Electrical Protection Class II.

Member of

The block features the PV CYCLE logo, which consists of a stylized sun and the text 'PV CYCLE'.

CAUTION! Please read the operating instructions carefully before using the products.

Due to our policy of continual improvement the products covered by this brochure may be changed without notice.



www.coltecnica.com
(571) 6080046 - (57) 3007393370
colsolar@coltecnica.com
Bogotá - Colombia



SANYO Electric Co.,Ltd.
Solar Division

http://www.sanyo.com/solar/
E-mail: homepage_solar@sanyo.com